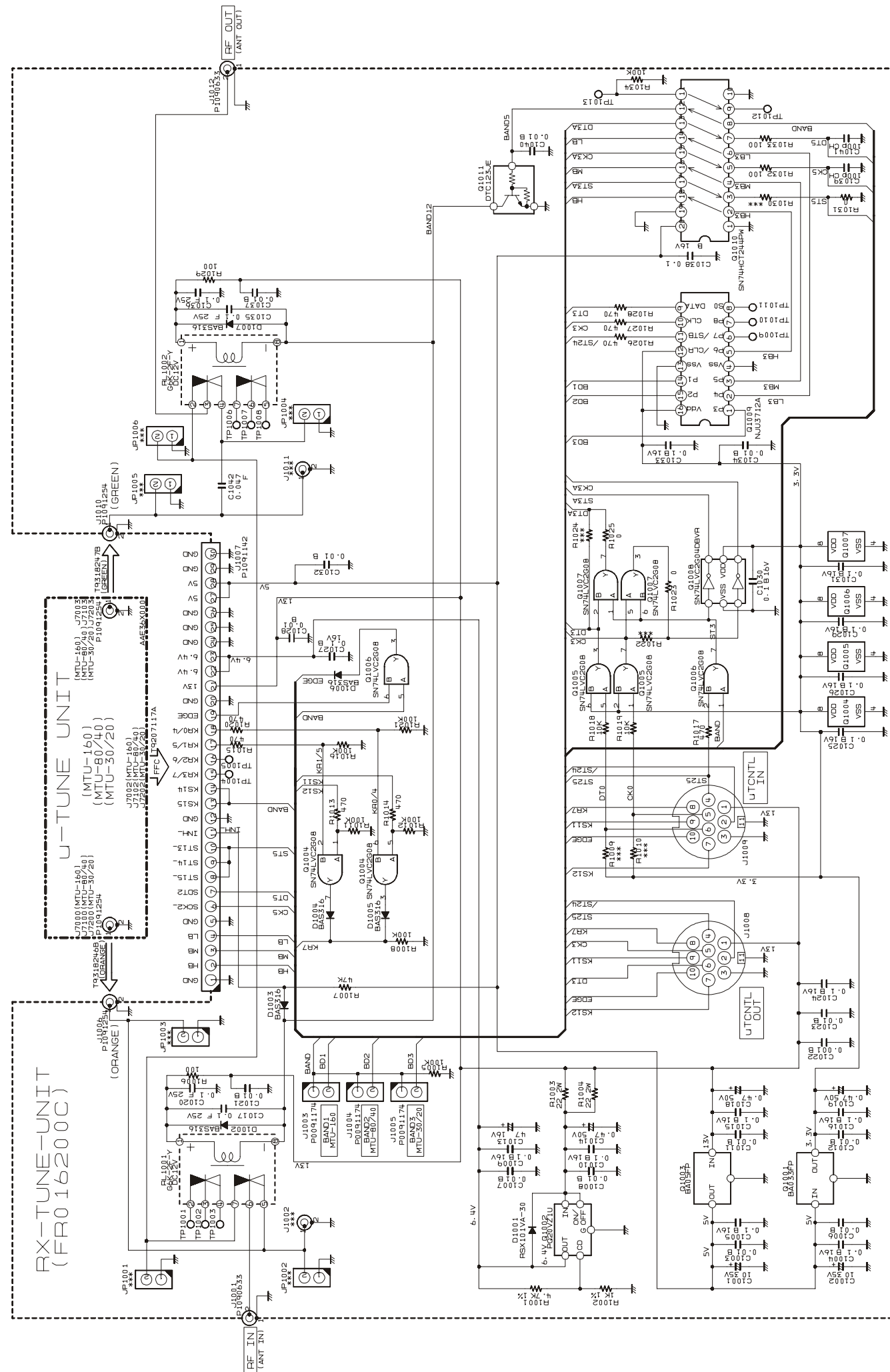


RF μTUNING KIT INSTALLATION MANUAL

Congratulations on your purchase of the RF μTUNING KIT.

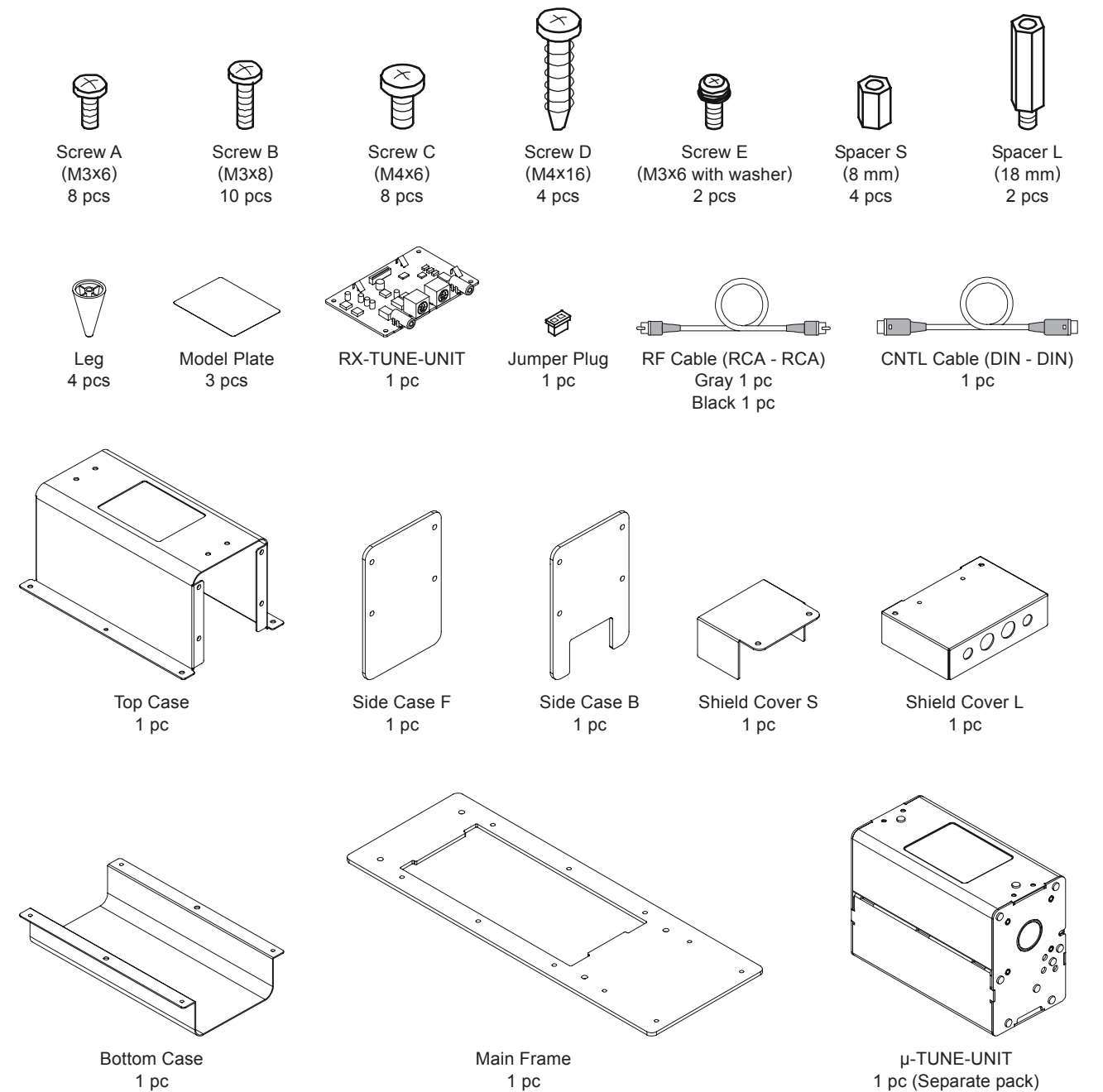
Before installing the kit, please read this manual carefully. After installation, please keep this manual in a safe place for future reference.



NOTICE

- Do not modify or adapt the μ-TUNE-UNIT
Damage to precision mechanical or electronic components may occur.
- Be careful in handling the small parts
Do not place small parts in the mouth. Choking or suffocation could occur.
- Be careful while using tools and assembling the parts to avoid pinched fingers and other injuries
- Do not stretch, pinch, or otherwise damage the cables
- Do not apply incorrect voltage to the μ-TUNE-UNIT
Severe damage may occur.

PACKING LIST



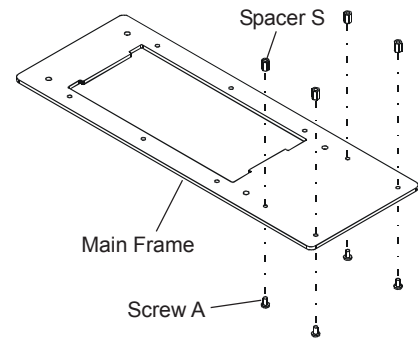
REQUIRED TOOL

- Phillips Screwdriver
- Pliers (used for installing the Spacers)

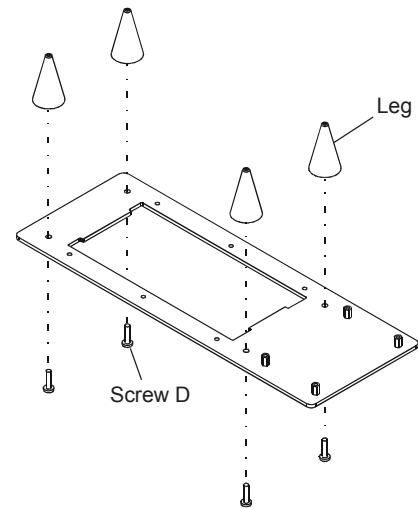


INSTALLATION

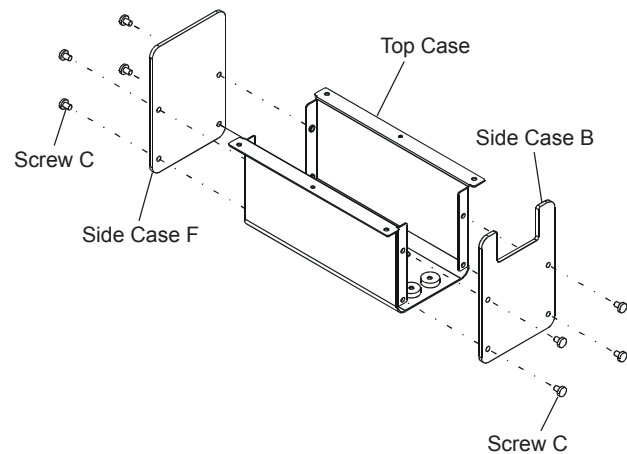
- Attach the Spacer S to the back side of the Main Frame with four Screws (Screw A: M3x6). There are non-painted areas on the back side.



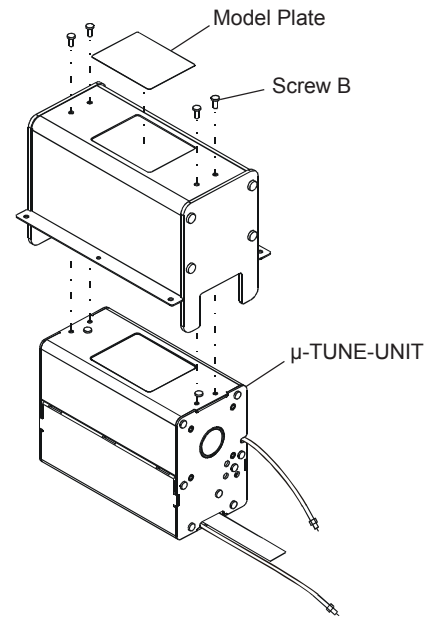
- Attach the four Legs to the back side of the Main Frame with four Screws (Screw D: M4x16).



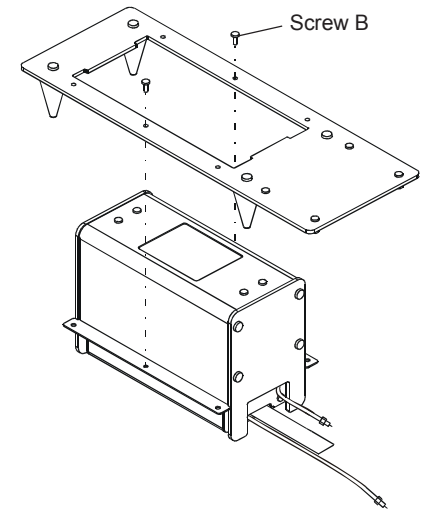
- Attach the Side Case F and Side Case B to the Top Case with eight Screws (Screw C: M4x6).



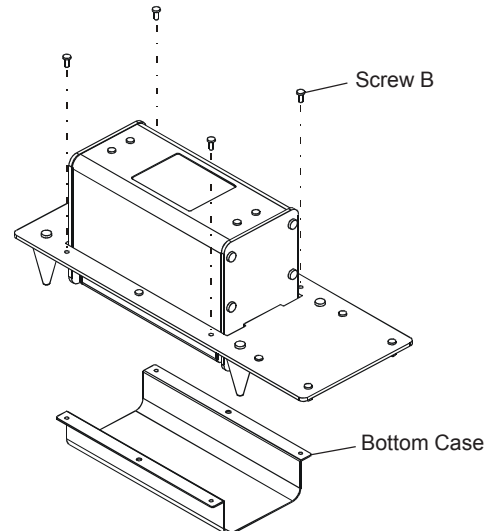
- Affix the Model Plate to the recessed area on the Top Case, and then connect the Top Case to the μ-TUNE-UNIT with four Screws (Screw B: M3x8).



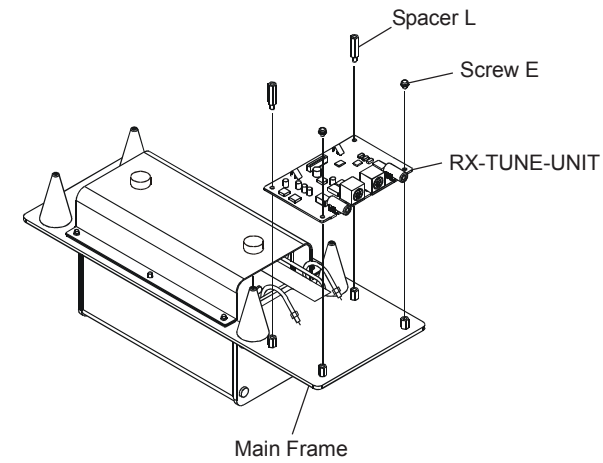
- Attach the μ-TUNE-UNIT (which was assembled in step 4) to the Main Frame (which was assembled in step 2) with two Screws (Screw B: M3x8).



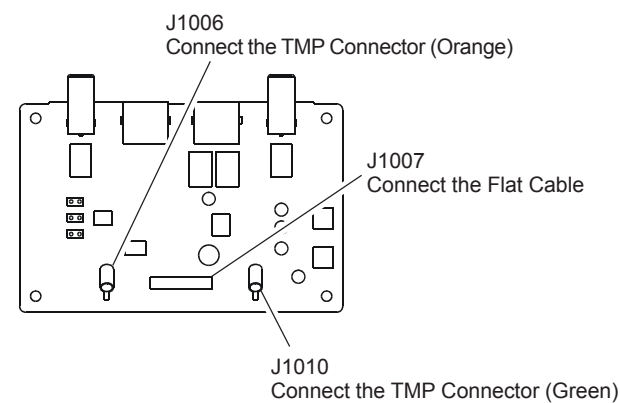
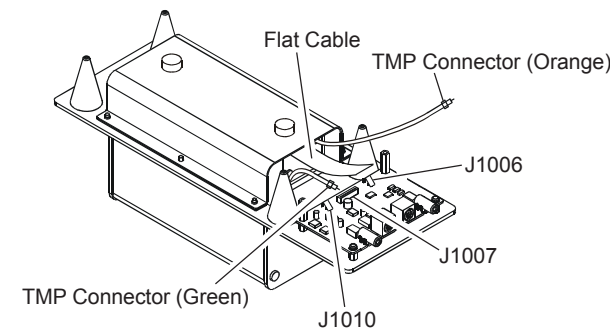
- Attach the Bottom Case to the Main Frame with four Screws (Screw B: M3x8).



- Place the Main Frame upside down. Attach the RX-TUNE-UNIT to the Main Frame with the two Long Spacers (Spacer L) and two Screws (Screw E: M3x6 Screw with washer).

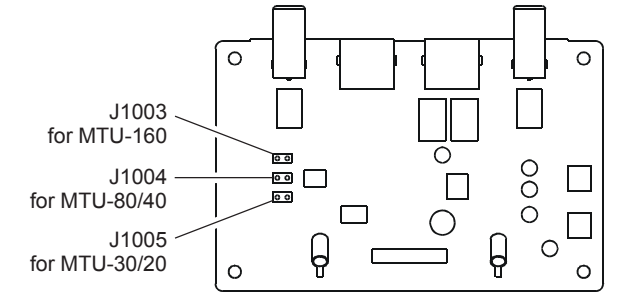


- Connect the TMP Connector (Orange) to J1006 on the RX-TUNE-UNIT and connect the TMP Connector (Green) to J1010 on the RX-TUNE-UNIT, then connect the Flat Cable to J1007 on the RX-TUNE-UNIT.



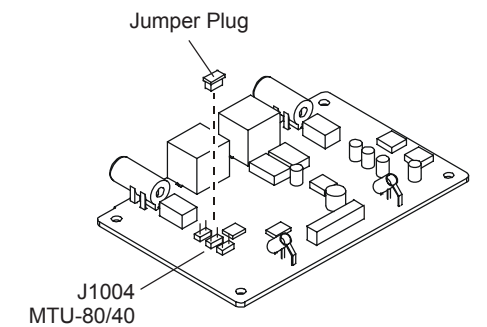
Note: 1) insure that the Flat Cable is inserted into connector J1007 squarely. If the Flat Cable is inserted diagonally, the contacts could short and cause damage. 2) Please be careful handling the Flat Cable. Sharp bends will break the conductors and cause open or intermittent connections.

- Confirm the μ-TUNE-UNIT Model Number (for example: MTU-80/40), and then insert the Jumper Plug into the corresponding labeled Jumper connector on the RX-TUNE-UNIT.

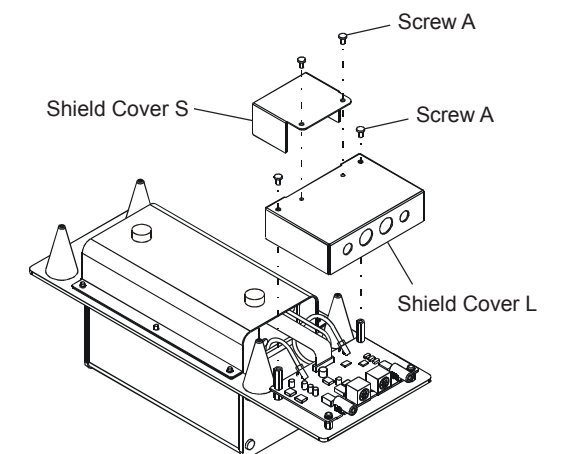


For example, if your μ-TUNE-UNIT is MTU-80/40, insert the Jumper Plug to the J1004 that is labeled MTU-80/40.

Important Note: Please confirm Jumper connection again, because the wrong connection will cause malfunction of the unit. If you turned on the RF μTUNING KIT with wrong connections, turn the power off and connect the Jumper Plug correctly.



- Affix the Shield Cover L to the RX-TUNE-UNIT with two Screws (Screw A: M3x6). Next, attach the Shield Cover S with two Screws (Screw A: M3x6). Be very careful not to pinch any wires.



- Installation is completed.
- Double check all connections and the wiring, then connect the RF μTUNING KIT to the FT-2000, as is described in the "Interconnections" chapter in the RF μTUNING KIT Operating Manual.